

Max Frame	DP Rating	Impact
75 1/4" x 95 1/2"	+50/55	YES

Installed Fastener Schedule:

1. Seal flange/frame to substrate. Sill shall be set on a continuous serpentine bead of structural grade silicone caulk (typ.).
2. Use #8 PH or greater fasteners through nail fin with sufficient length to penetrate a minimum of 1 1/4" into the wood framing. For 2X wood frame substrate (min. S.G. = 0.42).
3. Install corrosion resistant 1-#8 X 2" screws through each hinge into rough opening.
4. Install corrosion resistant 2-#8 X 2" screws through each strike plate into rough opening.

General Notes:

1. The product shown herein is designed, tested and manufactured to comply with the wind load criteria of the adopted International Building Code (IBC), the International Residential Code (IRC), the Florida Building Code (FBC) and the industry standard requirement for the stated conditions.
2. Buck, framing and masonry by others and is responsibility of architect or engineer of record.
3. All glazing shall conform to ASTM E1300.
4. At minimum, glazing shall be 4.0mm tempered - 13.54mm airspace - 3.0mm annealed - 2.29mm PVB Interlayer by Dupont - 3.0mm annealed glass.

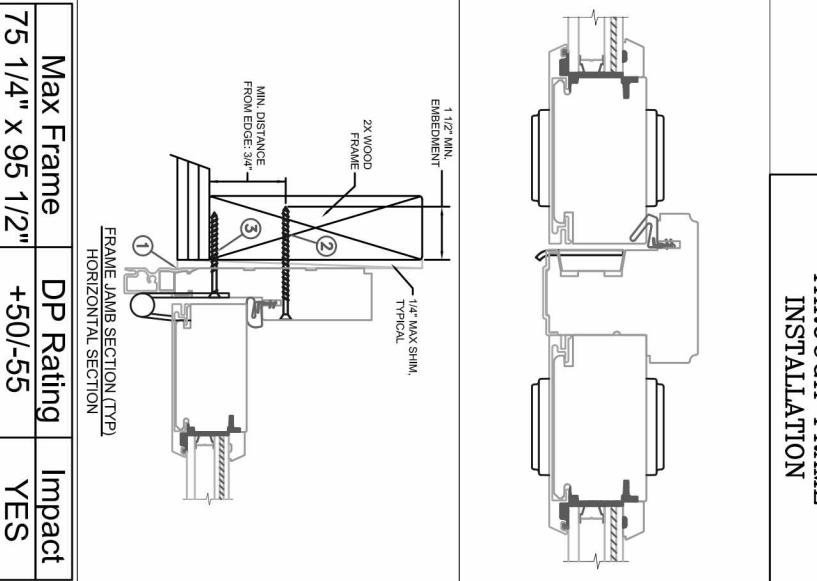
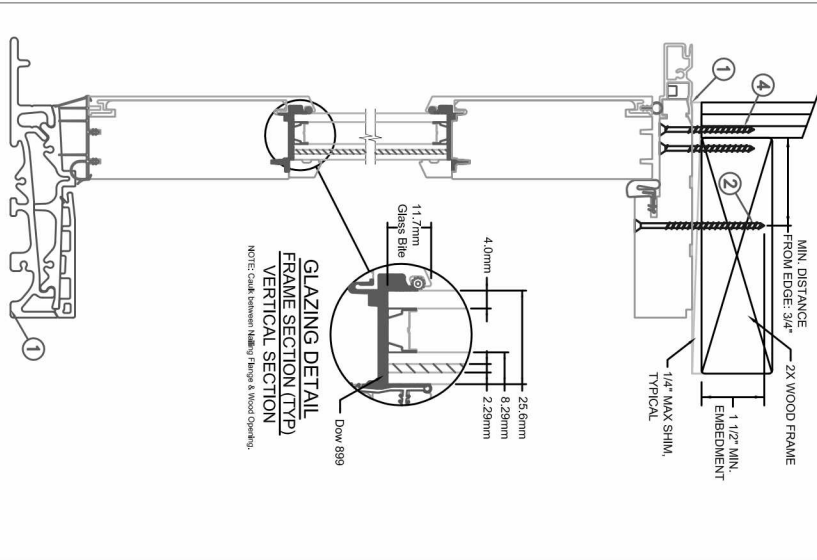
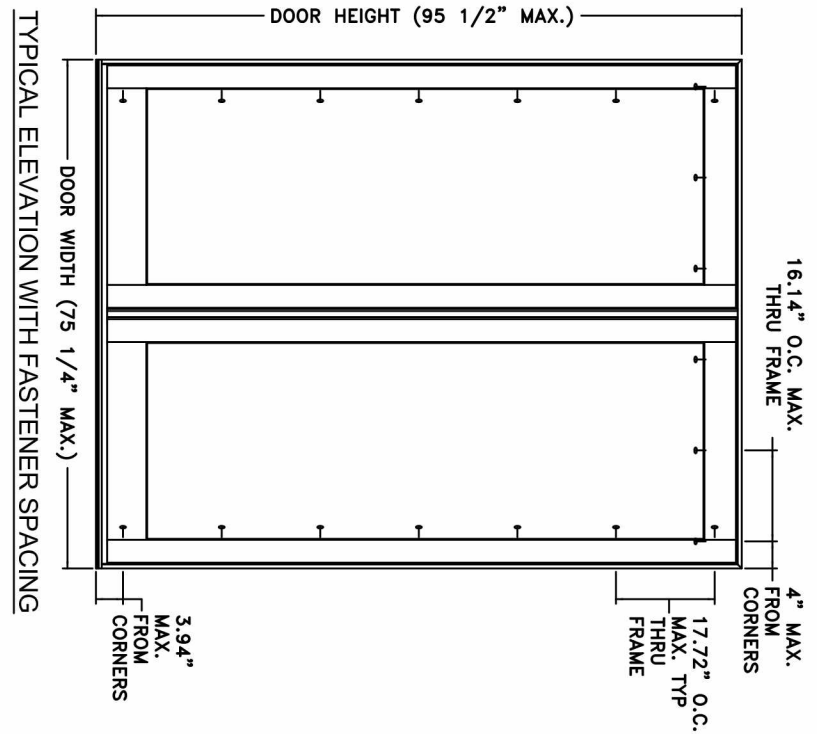
This schedule addresses only the fasteners required to anchor the window to achieve the rated design pressure up to the size limitations noted. It is not intended as a guide to the installation process and does not address the sealing consideration that may arise in different wall conditions. For the complete installation procedure, see the instructions packaged with the door or go to www.jeld-wen.com.

DISCLAIMER:

This drawing and its contents are confidential and are not to be reproduced or copied in whole or in part or used or disclosed to others except as authorized by JELD-WEN Inc.

PROJECT ENGINEER: --	DATE: 06/20/2016	JELD-WEN	3737 Lakeport Blvd Klamath Falls, OR, 97601 Phone: (800) 535-3936
DRAWN BY: D. Vezo	SCALE: NTS		
CHECKED BY: C. Graetsch	TITLE: Steline Clad Outswing French Impact Patio Door		
APPROVED BY: D. Stokes			
PART/PROJECT No.: D011239			
IDENTIFIER No.: SJW2016-053	PLANT NAME AND LOCATION: Hawkins, WI	CAD DWG. No.:	REV: 00 SHEET

'AS TESTED'



Max Frame	DP Rating	Impact
75 1/4" x 95 1/2"	+50-55	YES

Installed Fastener Schedule:

1. Seal flange/frame to substrate. Sill shall be set on a continuous serpentine bead of structural grade silicone caulk (typ.).
2. Use #8 PH or greater fasteners through frame with sufficient length to penetrate a minimum of 1 1/4" into the wood framing. For 2X wood frame substrate (min. S.G. = 0.42).
3. Install corrosion resistant 1-#8 X 2" screws through each hinge into rough opening.
4. Install corrosion resistant 2-#8 X 2" screws through each strike plate into rough opening.

General Notes:

1. The product shown herein is designed, tested and manufactured to comply with the wind load criteria of the adopted International Building Code (IBC), the International Residential Code (IRC), the Florida Building Code (FBC) and the industry standard requirement for the stated conditions.
2. Buck, framing and masonry by others and is responsibility of architect or engineer of record.
3. All glazing shall conform to ASTM E1300.
4. At minimum, glazing shall be 4.0mm tempered - 13.54mm airspace - 3.0mm annealed - 2.29mm PVB Interlayer by Dupont - 3.0mm annealed glass.

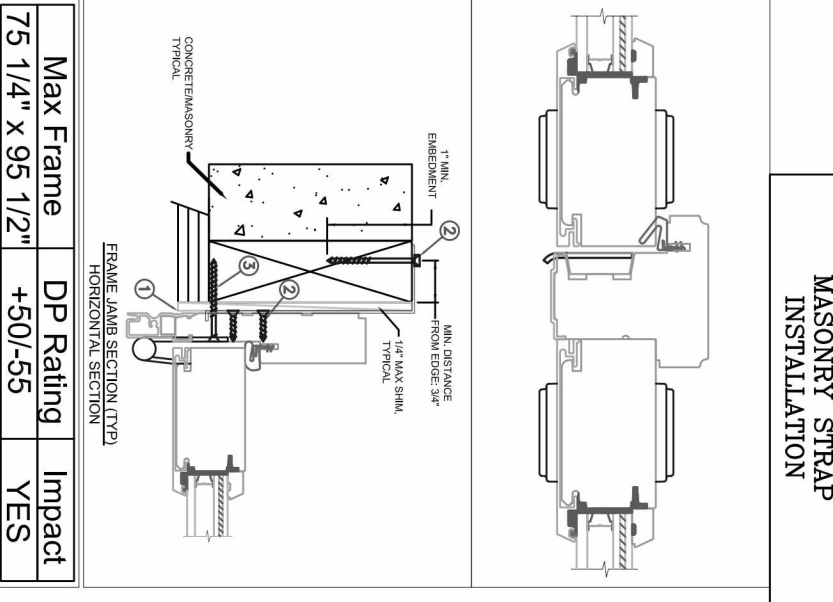
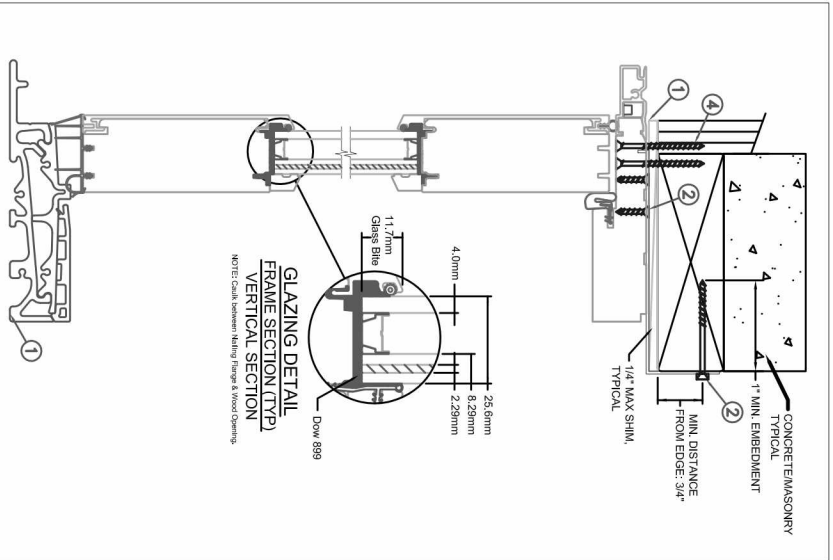
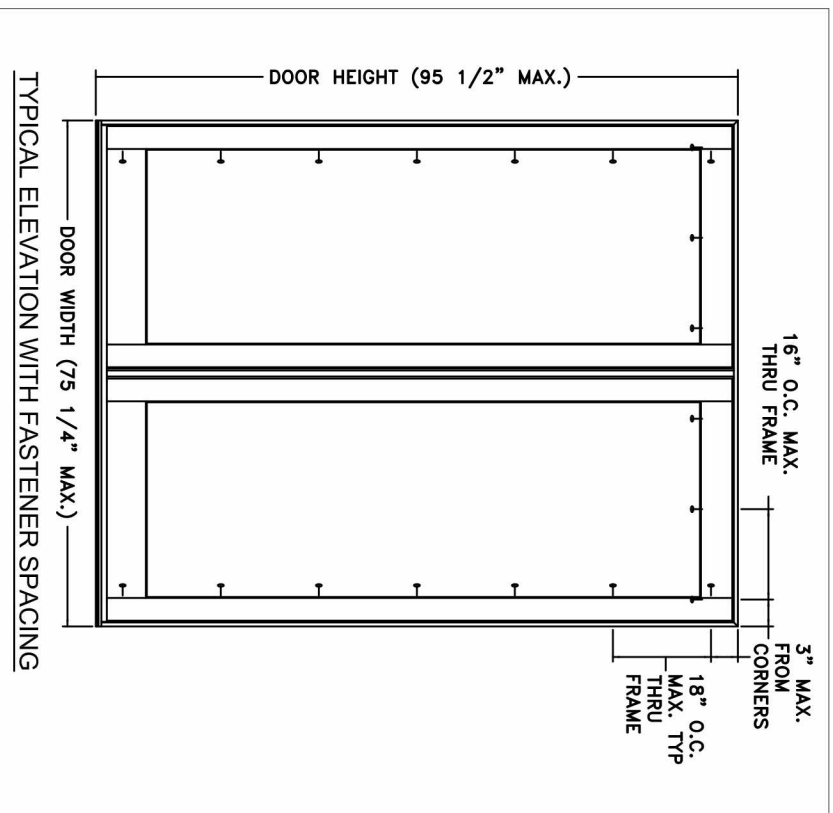
This schedule addresses only the fasteners required to anchor the window to achieve the rated design pressure up to the size limitations noted. It is not intended as a guide to the installation process and does not address the sealing consideration that may arise in different wall conditions. For the complete installation procedure, see the instructions packaged with the door or go to www.jeld-wen.com.

DISCLAIMER:

This drawing and its contents are confidential and are not to be reproduced or copied in whole or in part or used or disclosed to others except as authorized by JELD-WEN Inc.

PROJECT ENGINEER: --	DATE: 06/20/2016	JELD-WEN	3737 Lakeport Blvd Klamath Falls, OR, 97601 Phone: (800) 535-3936
DRAWN BY: D. Vezo	SCALE: NTS		
CHECKED BY: C. Graetsch	TITLE: Steline Clad Outswing French Impact Patio Door		
APPROVED BY: D. Stokes	JELD-WEN		Klamath Falls, OR, 97601 Phone: (800) 535-3936
PART/PROJECT No.:			
D011239	SJW2016-053	PLANT NAME AND LOCATION: Hawkins, WI	CAD DWG. No.:
		REV: 00	SHEET

'AS TESTED'



Max Frame	DP Rating	Impact
75 1/4" x 95 1/2"	+50/-55	YES

Installed Fastener Schedule:

1. Seal flange/frame to substrate. Sill shall be set on a continuous serpentine bead of structural grade silicone caulk (typ.).
2. Install masonry straps to wood frame using #8 corrosion resistant fasteners no more than 4" from each corner and 16" o.c. along the jambs and head. Bend straps around buck and secure with #8 fastener thru masonry strap into buck. Fasteners must be long enough to penetrate at least 1" into framing members (min. S.G. = 0.42).
3. Install corrosion resistant 1-#8 X 2" screws through each hinge into rough opening.
4. Install corrosion resistant 2-#8 X 2" screws through each strike plate into rough opening.

General Notes:

1. The product shown herein is designed, tested and manufactured to comply with the wind load criteria of the adopted International Building Code (IBC), the International Residential Code (IRC), the Florida Building Code (FBC) and the industry standard requirement for the stated conditions.
2. Buck, framing and masonry by others and is responsibility of architect or engineer of record.
3. All glazing shall conform to ASTM E1300.
4. At minimum, glazing shall be 4.0mm tempered - 13.54mm airspace - 3.0mm annealed - 2.29mm PVB Interlayer by Dupont - 3.0mm annealed glass.

This schedule addresses only the fasteners required to anchor the window to achieve the rated design pressure up to the size limitations noted. It is not intended as a guide to the installation process and does not address the sealing consideration that may arise in different wall conditions. For the complete installation procedure, see the instructions packaged with the door or go to www.jeld-wen.com.

DISCLAIMER:

This drawing and its contents are confidential and are not to be reproduced or copied in whole or in part or used or disclosed to others except as authorized by JELD-WEN Inc.

PROJECT ENGINEER: --	DATE: 06/20/2016	JELD-WEN	3737 Lakeport Blvd Klamath Falls, OR, 97601 Phone: (800) 535-3936	
DRAWN BY: D. Vezo	SCALE: NTS			
CHECKED BY: C. Graetsch	TITLE: Steline Clad Outswing French Impact Patio Door	JELD-WEN		
APPROVED BY: D. Stokes				
PART/PROJECT No.: D011239				
IDENTIFIER No.: SJW2016-053	PLANT NAME AND LOCATION: Hawkins, WI	CAD DWG. No.:	REV: 00	SHEET

'AS TESTED'